

Wardrobe INLINE
SOFT CLOSE SLIDING SYSTEM



Kadson[®]

Creativity Unmatched...



Kadson[®]
Creativity Unmatched...

CUSTOMER SATISFACTION

Client satisfaction is the primary motto of our firm and strive to attain and maintain the same. We offer customized solutions to the patrons so as to fulfill the diverse requirements of a wide client base. Further, we offer our products at competitive prices and offer easy payment modes of cash, cheque, DD and online payment. We also lay strong emphasis on delivering a defect free product range within the determined time line. Owing to our fair business policies and transparency in business dealings, we have been able to win the trust and confidence of our valued customers, within no time.

VISION

With a clear vision of customer satisfaction our prime concern has always been to keep our customer at a leading edge of development both technologically and economically.

MISSION

Our Purpose Leads to the advancement of Technology in Door Closer and Thus Contributing the Comfort and Enhancement to the Existence of Human Life.

Seeks always to be considered as the major contributor to the society economically and culturally. Dedicated to the development of technology through scientific excellence and innovations. Makes life merry to all those who are connected with us.

Provides perfect working environment and seeks to be the most preferred organization to work with. Contributing enormously in economic development of the country.

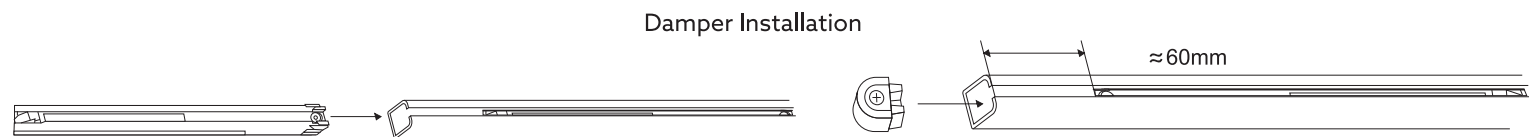
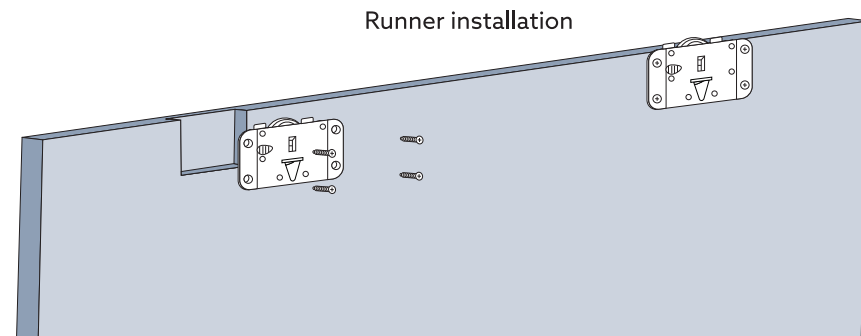
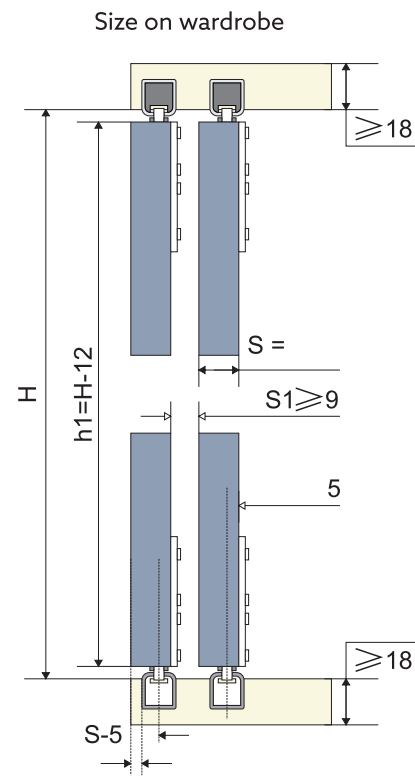
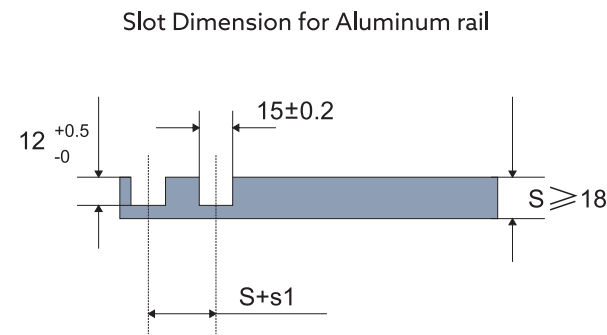
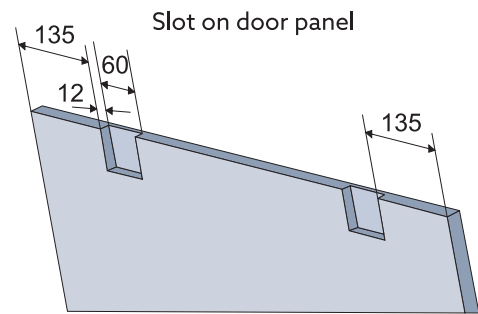
PROFILE

Established in the year 1995, we "Kadson Engineers, Rajkot", are a noted name in manufacturing and supplying Door Closers, Floor Springs, Mortise Handle, Lock Body, Lock Cylinder and Rim Lock etc.. We also offer Automatic Door Closer, Door Hardware, Hardware Fittings, Iron Door Closer, Hydraulic Buffering Hing, Door Spring, Heavy Duty Door Closer. These products are largely acknowledged for their comprehensive features like durability, supreme quality, flawless functioning, longer working life and ease of installation. All our products are manufactured as per the recommended standards of the industry. We customize our products in terms of well-defined parameters as specified by the clients in order to satisfy variegated requirements of the customers. Moreover, we make use of finest quality raw material in our manufacturing process, which is procured from recognized vendors of the market. In order to bring out meaningful up gradations, we also keep continuous improvement and innovation in our range & processes.

Our Organization is backed by a team of diligent professionals, which help us in garnering a huge base of satisfied customers. They work courageously and sincerely to meet organizational goal within the committed time frame. Moreover, we have developed a state of the art infrastructure facility, which allow us to manufacture an unsurpassed range of products for our patrons. Also, we have established a spacious and voluminous warehouse unit in order to keep our finished products systematically.

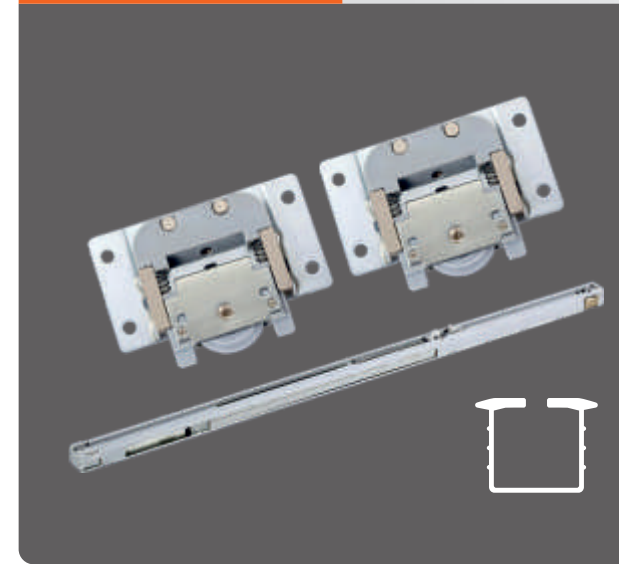
KSD - 601

Fitting Assembly for KSD-601









KSD - 601

Furniture Sliding Door System



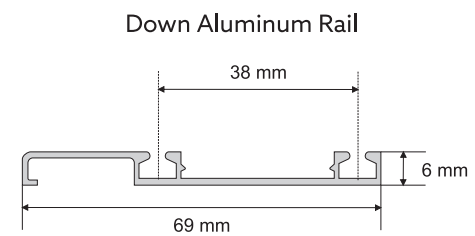
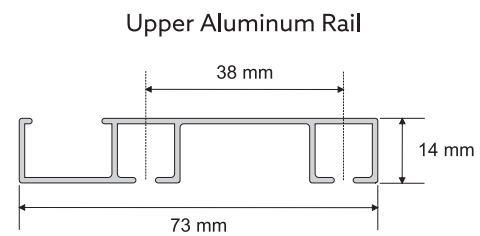
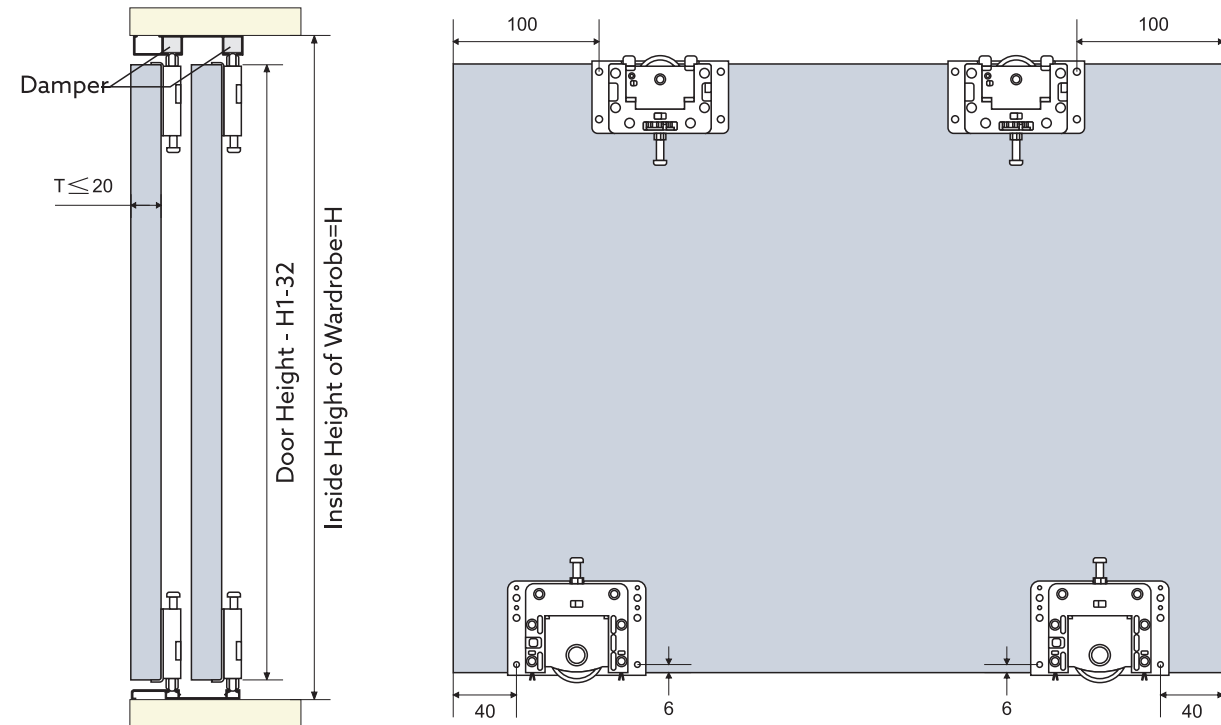
- ▶ Original design with concealed damper in top panel 18mm.
- ▶ Automatic position pre-setting and easy installation of dampers.
- ▶ With comfortable and safe soft closing function, improve the level of furniture and expand the life of furniture.
- ▶ With best silent performance by high quality German imported POM material runner, which is high-strength ball bearing runner.
- ▶ Easy installation design, adjustable function to get the best balance between door panels.
- ▶ Soft closing system with restoration function, and anti-jump and automatic hook coupling function (Anti-decoupling).
- ▶ Single side soft closing system or 2 side soft closing for optional.
- ▶ Apply to wooden furniture, poly-wood furniture.
- ▶ Loading Capacity of door : 50 KG.

CODE	SIZE	CATEGORY	MRP
KSD-601	8 Feet	Aluminum Track & Runner Set	4488.00
	10 Feet	Aluminum Track & Runner Set	5247.00

ACCESSORIES	DRAWING	2 DOOR	3 DOOR	4 DOOR
Runner		8	12	16
Damper		4	4	4
Cap For Aluminum Rail Ending		8	8	8
Aluminum Rail		4	4	4
Allen Key		1	1	1
Screws		32	48	64

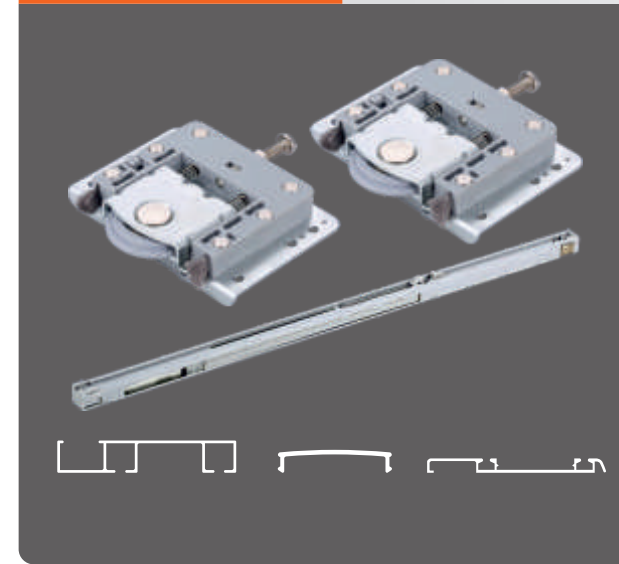
KSD - 602

Fitting Assembly for KSD-602







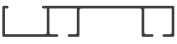




KSD - 602

Furniture Sliding Door System



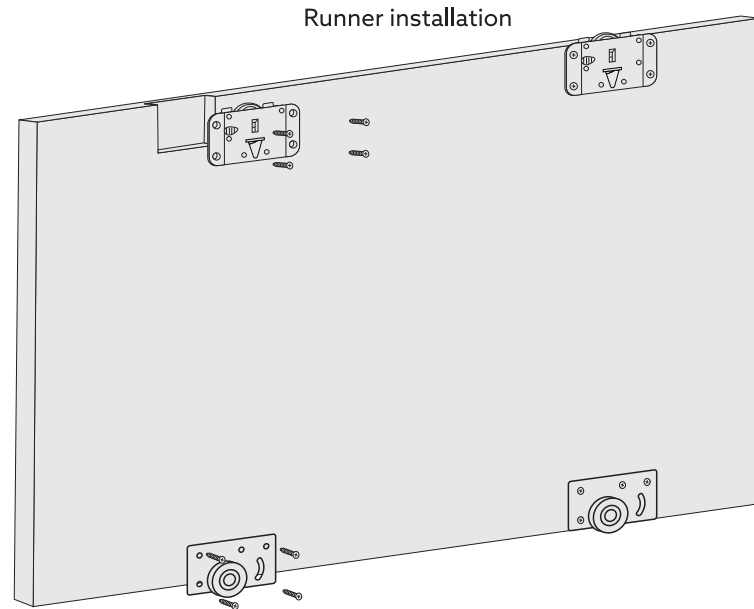
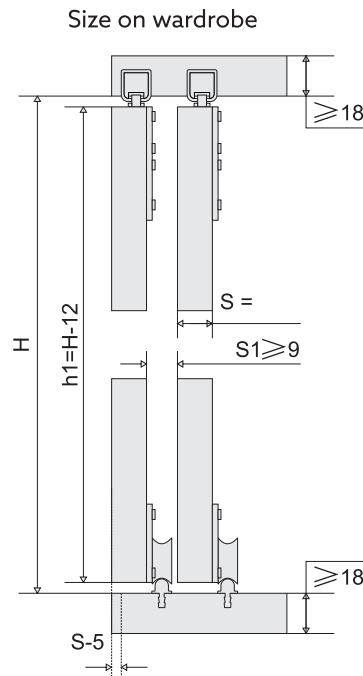
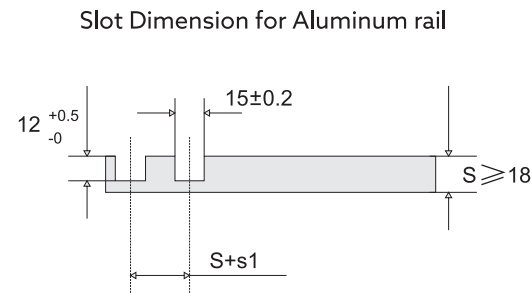
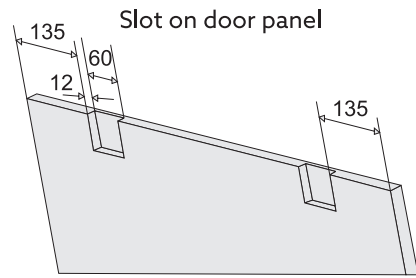
- ▶ Visible roller design for external fixing, no need make groove on the furniture.
- ▶ Concealed damper - Original design, Automatic position pre-setting and easy installation of dampers.
- ▶ Apply to panel wood, solid wood and Aluminum frame door.
- ▶ Comfortable and safe soft closing function, best silent and smooth performance.
- ▶ improve the level of furniture and expand the life of furniture.
- ▶ Soft closing system with anti-jump and automatic hook coupling function (Anti-decoupling)
- ▶ Loading capacity per door : 50 Kg.
- ▶ Apply to the thickness of wooden door : T<20mm

CODE	SIZE	CATEGORY	MRP
KSD-602	8 Feet	Aluminum Track & Runner Set	5115.00
	10 Feet	Aluminum Track & Runner Set	6105.00

ACCESSORIES	DRAWING	2 DOOR	3 DOOR	ACCESSORIES	DRAWING	2 DOOR	3 DOOR
Upper Runner		4	6	Down Runner		4	6
Allen Key		1	1	Screw		32	48
Upper Aluminum Rail		1	1	Down Aluminum Rail		1	1
Spacer		16	24	Cap for Down Rail		1	1
Damper						4	4

KSD - 603

Fitting Assembly for KSD-603

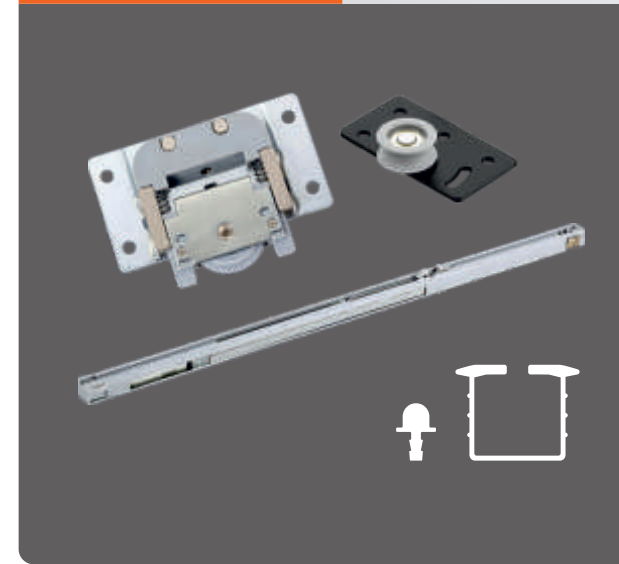


Damper installation







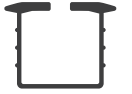



KSD - 603

Furniture Sliding Door System



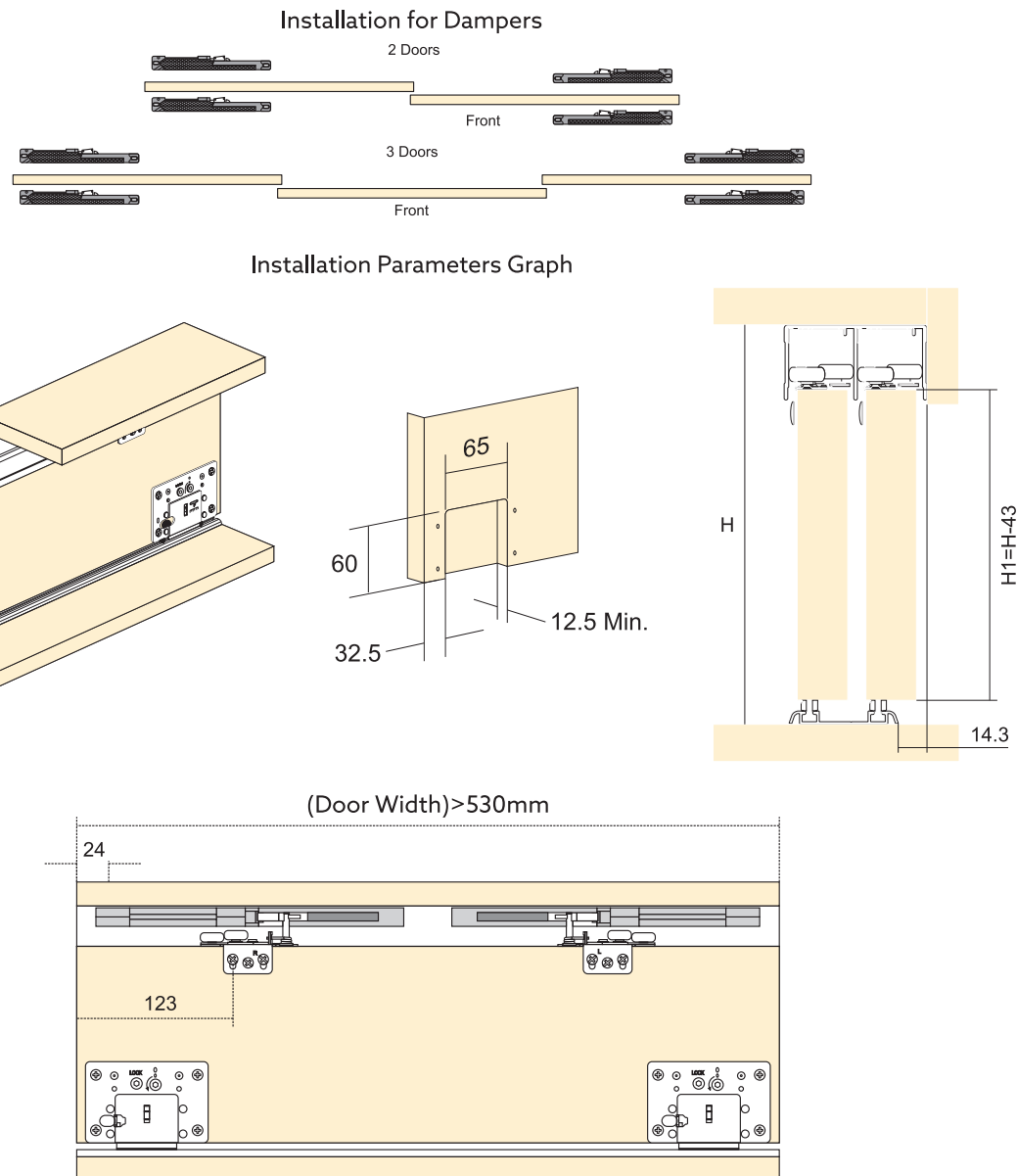
- ▶ Visible roller design for external fixing, no need make groove on the furniture.
- ▶ Concealed damper - Original design, Automatic position pre-setting and easy installation of dampers.
- ▶ Apply to panel wood, solid wood and Aluminum frame door.
- ▶ Comfortable and safe soft closing function, best silent and smooth performance.
- ▶ improve the level of furniture and expand the life of furniture.
- ▶ Soft closing system with anti-jump and automatic hook coupling function (Anti-decoupling)
- ▶ Loading capacity per door : 50 Kg.
- ▶ Apply to the thickness of wooden door : T < 20mm

CODE	SIZE	CATEGORY	MRP
KSD-603	8 Feet	Aluminum Track & Runner Set	3861.00
	10 Feet	Aluminum Track & Runner Set	4620.00

ACCESSORIES	DRAWING	2 DOOR	3 DOOR	ACCESSORIES	DRAWING	2 DOOR	3 DOOR
Upper Runner		4	6	Down Runner		4	6
Allen Key		1	1	Screw		32	48
Upper Aluminum Rail		2	2				
Spacer		4	4	Down Aluminum Rail		2	2
Damper						4	4

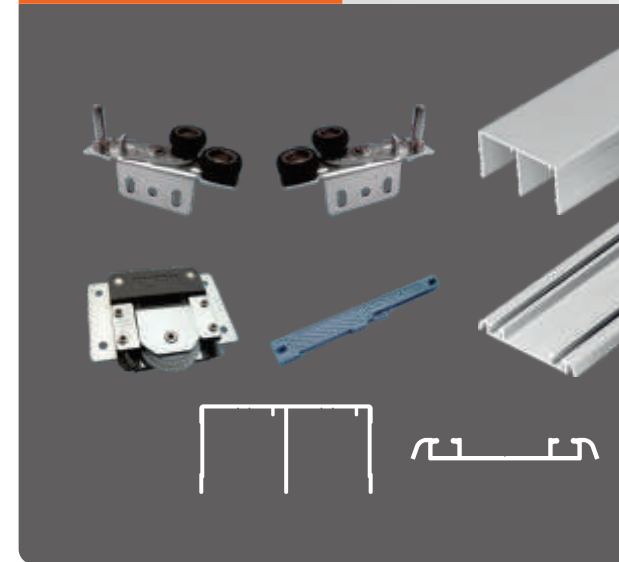
KSD - 604

Fitting Assembly for KSD-604 (25mm Door)










KSD - 604

Aluminum Sliding Track System (25mm Door)

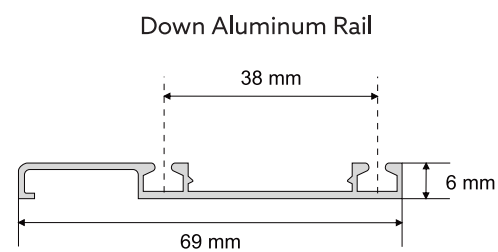
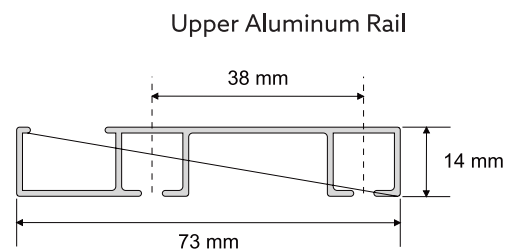
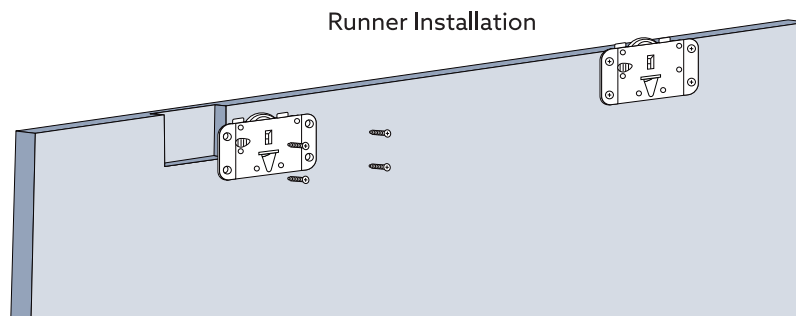
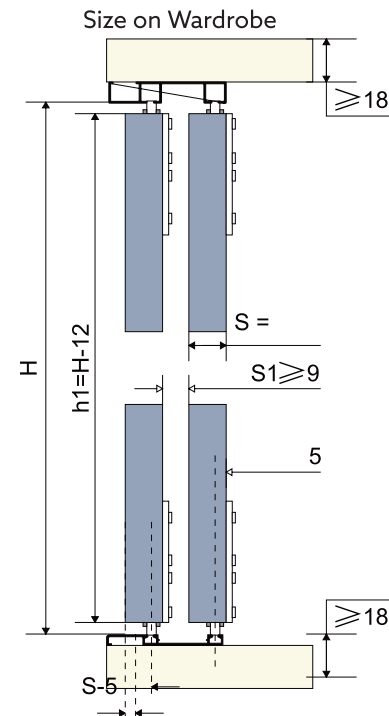
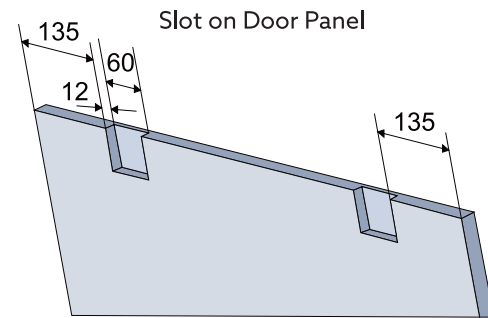


CODE	SIZE	CATEGORY	MRP
KSD-604	8 Feet	Aluminum Track & Runner Set	5709.00
	10 Feet	Aluminum Track & Runner Set	6831.00

ACCESSORIES	DRAWING	2 DOOR	3 DOOR	ACCESSORIES	DRAWING	2 DOOR	3 DOOR
Upper Runner			2 Pair	Down Runner			4
Allen Key			1	Screw			32
Upper Aluminum Rail			1	Down Aluminum Rail			1
Damper							4

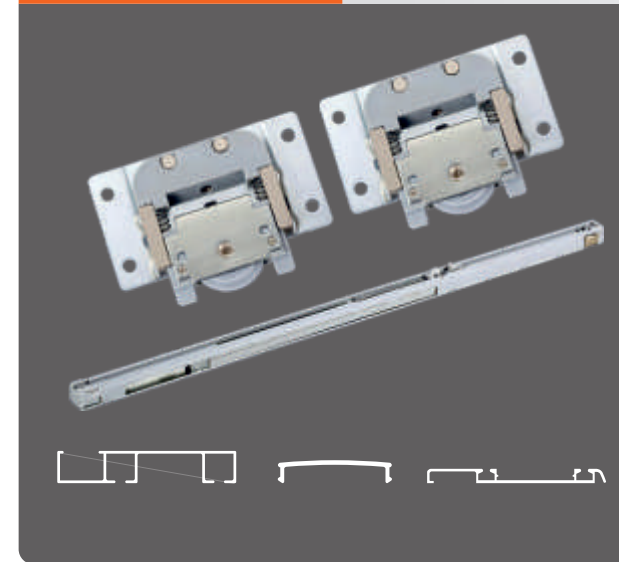
KSD - 605

Fitting Assembly for KSD-605











KSD - 605

Furniture Sliding Door System



- ▶ Original design with concealed damper in top panel 18mm.
- ▶ Automatic position pre-setting and easy installation of dampers.
- ▶ With comfortable and safe soft closing function, improve the level of furniture and expand the life of furniture.
- ▶ With best silent performance by high quality German imported POM material runner, which is high-strength ball bearing runner.
- ▶ Easy installation design, adjustable function to get the best balance between door panels.
- ▶ Soft closing system with restoration function, and anti-jump and automatic hook coupling function (Anti-decoupling).
- ▶ Single side soft closing system or 2 side soft closing for optional.
- ▶ Apply to wooden furniture, poly-wood furniture.
- ▶ Loading Capacity of door : 50 KG.

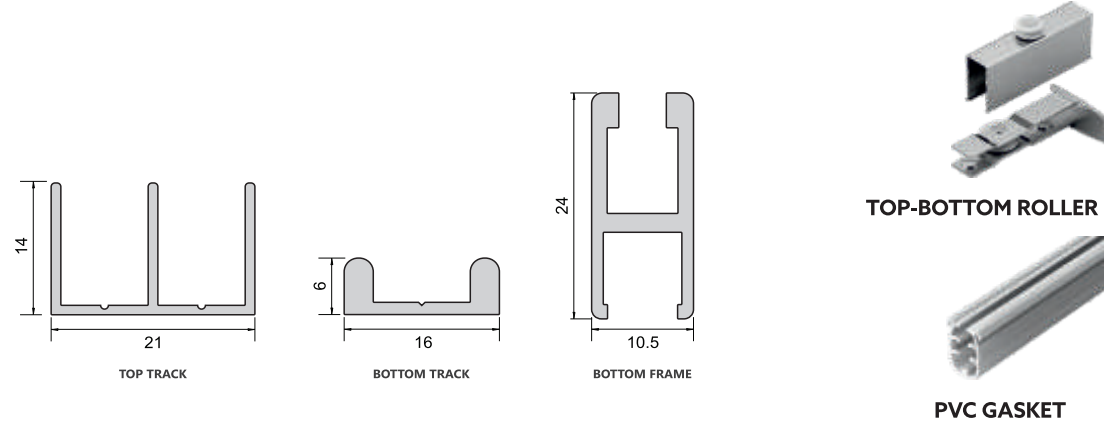
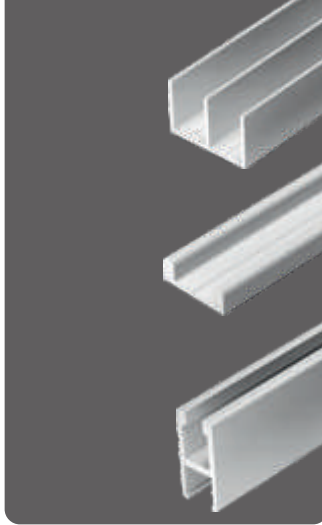
CODE	SIZE	CATEGORY	MRP
KSD-605	8 Feet	Aluminum Track & Runner Set	5115.00
	10 Feet	Aluminum Track & Runner Set	5940.00

ACCESSORIES	DRAWING	2 DOOR	3 DOOR	ACCESSORIES	DRAWING	2 DOOR	3 DOOR
Upper Runner		8	12	Damper		4	4
Allen Key		1	1	Upper Aluminum Rail		1	1
Screw		32	48	Down Aluminum Rail		1	1
Spacer		16	24	Cap for Down Rail		1	1

KSD - 651

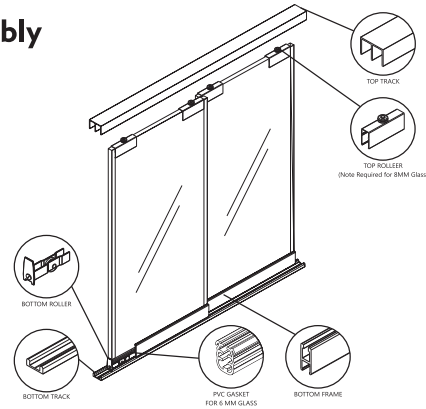
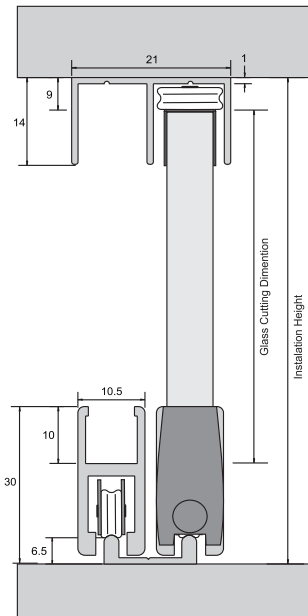
Aluminum Showcase Glass Sliding Door System

NOTE



FINISH : Aluminum Anodized | **LENGTH :** 1,2,3 Meters | **SUITABLE FOR :** 6mm (With Gasket), 8mm (Without Gasket)

Aluminum Showcase Glass Sliding Door System Assembly



CODE	SIZE	CATEGORY	MRP
KSD-651	2 Meter	Alu. Showcase Glass Sliding Door System	1485.00
	3 Meter	Alu. Showcase Glass Sliding Door System	2228.00
		Top Bottom Roller Set	190.00

Ruled area for notes:



Kadson[®]

Creativity Unmatched...

MKT. BY:

NG SAFE INTERNATIONAL

Rajkot. Guj. (INDIA)